



SIJ-AS SIJ-ASN

IONISATION TYPE SMOKE DETECTOR



New low profile design meets a variety of installation requirements.

Effective and economical fire prevention has always been a priority throughout industry. Hochiki's newly designed ionisation smoke detector, SIJ-AS, enhances any fire prevention system. The smart design compliments the high performance of the SIJ-AS. This means the new low profile design meets a wide range of installation requirements and is highly reliable and stable under extreme conditions.

Many outstanding features

1. The Hochiki's SIJ-AS has a unique low profile design which can comply exactly with the interior designer's requirements and/or customer needs without detracting from the appearance of the ceiling.
2. The Hochiki SIJ-AS's exceptional capabilities result from incorporating a single radioactive source and dual chamber for stable operating under extreme environmental conditions including atmospheric changes.

3. The unit is also designed to provide, trouble-free operation in locations subject to strong external vibrations and voltage fluctuations.
4. One of the many special design features incorporated is the overall construction aimed at maximising reliability under conditions such as high humidity which causes unreliable functioning in conventional detectors.

Installation & Maintenance

Each detector has been designed with a one piece outer cover which gives an aesthetically pleasing modern low profile shape. Twin fire alarm LEDs give 360° viewing. A common mounting base allows easy detector interchange. A simple anti tamper locking mechanism is provided which is enabled by removing a small plastic lug on the head and can only be removed using a special head removal tool.

AUSTRALIAN DISTRIBUTORS

FIRE & SAFETY PRODUCTS (A/ASIA) PTY. LTD.

A.C.N. 007 954 832 (Inc. in South Australia)



85 ORSMOND STREET
PO BOX 131
HINDMARSH SA 5007
PHONE: (08) 8346 5061
FAX: (08) 8340 0099

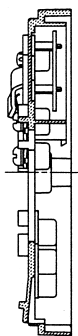
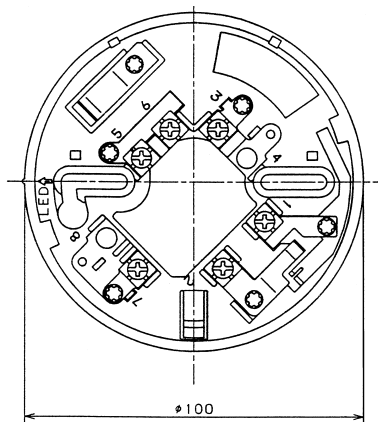
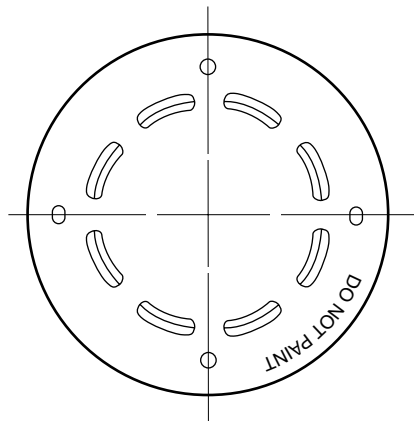
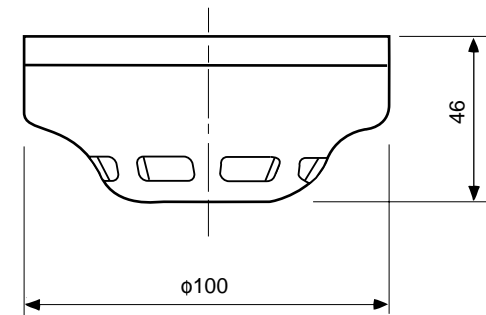


Quality
Endorsed
Company
AS NZ ISO 9002
Lic No. QEC 1411

A member of the WILLIAMS GROUP OF COMPANIES

SPECIALIST DISTRIBUTORS OF FIRE DETECTION & SPRINKLER PRODUCTS

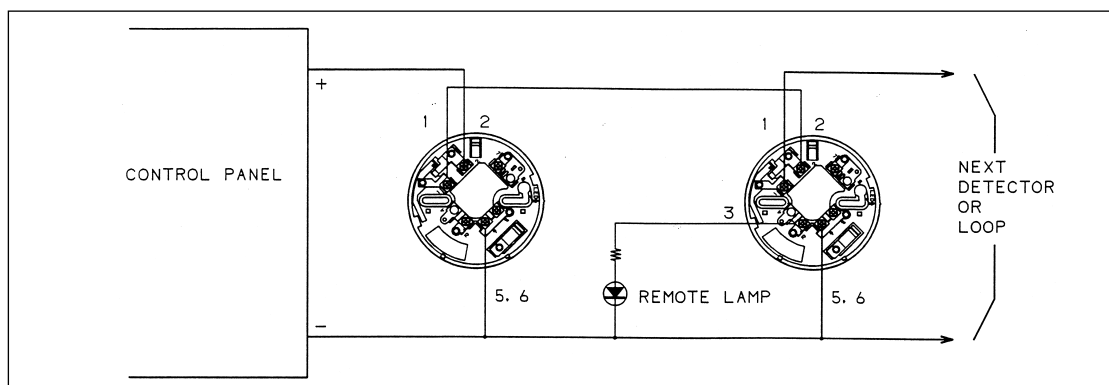
SPECIFICATION



Line voltage to detector:	
Rated voltage	:DC24.0V
Working voltage	:DC15.0~30.0V
Allowable Maximum Voltage	:DC42.0V
Current at Quiescent state:	
Supervisory current	:25.0 μ A at 24V
	:14.0 μ A at 15V
	:42.5 μ A at 30V
	:200 μ A at 24V
Surge current	:200 μ A at 24V
Alarm state:	
Maximum voltage	:17.6V at 80mA
Minimum voltage	:7.28V at 17mA
Maximum current	:80mA Max.
Minimum current	:17mA
Radio active source	:Americium 241, 18.5kBq
Ambient temperature	:-10 ~ +50°C
Mounting holes	:48 - 74mm in pitch
Weight	:140g with the base
Colour	:White
Nominal sensitivity:	
SIJ-AS	:0.29 (MIC X-value)
SIJ-ASN	:0.40 (MIC X-value)
SSL Listing Number:	
SIJ-AS	afp:1116
SIJ-ASN	afp:1117

OPERATION

The SIJ ionisation Smoke Detector has two sampling chambers, an outer ionisation chamber and an inner ionisation chamber. Smoke or invisible combustion gasses can freely penetrate the outer chamber, but the inner chamber is virtually closed to prevent easy entry. With both chambers ionised by a radioactive source (AM241), very small current flows in the circuit. The presence of visible smoke or invisible gasses greatly influences the current flow in the outer chamber to change the voltage ratio between chambers. This difference is then amplified inside the detector and transmitted to the fire alarm control unit.



Maximum Current at "R"
Terminal (for Remote LED) : 30mA