



## HF-24A MK I Ultra-Violet Flame Detector



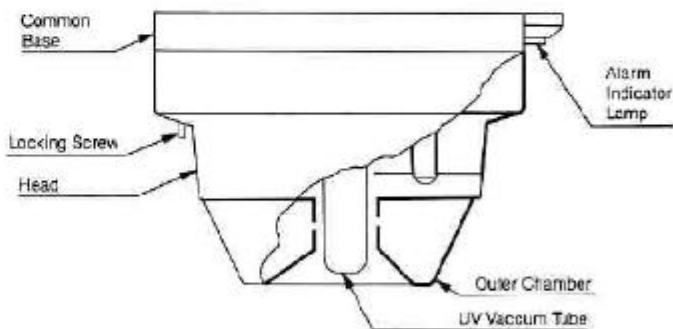
### Hochiki meets the challenges of modern fire protection

The HF-24A MKI flame detector is developed to detect fire by the ultra-violet radiation emitted from flames.

The units can be connected to a fire alarm control panel using a 2-wire loop circuit with end-of-line resistor.

### Built better by design

1. The HF-24A MKI is very sensitive to U.V. rays which is less affected by other external factors, and is capable of detecting flames efficiently.
2. Many units can be contained in a single line because the high-impedance circuitry of Model HF-24A MKI keeps power consumption very low.
3. The unit features all solid-state circuitry and a special locking screw which locks the detector head to the base securely.



Quality  
Endorsed  
Company  
ISO 9001:2000  
Lic. No. CED 1411



### AUSTRALIAN DISTRIBUTORS FIRE & SAFETY PRODUCTS (A/ASIA) PTY. LTD.

A.C.N. 007 954 832 (Inc. in South Australia)

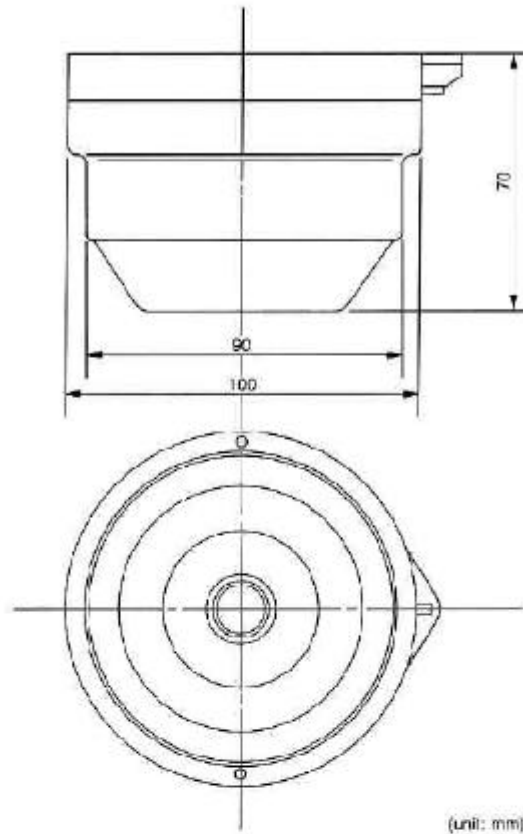
85 ORSMOND STREET  
PO BOX 131  
HINDMARSH SA 5007  
PHONE: (08) 8346 5061  
FAX: (08) 8340 0099

A member of the WILLIAMS GROUP OF COMPANIES

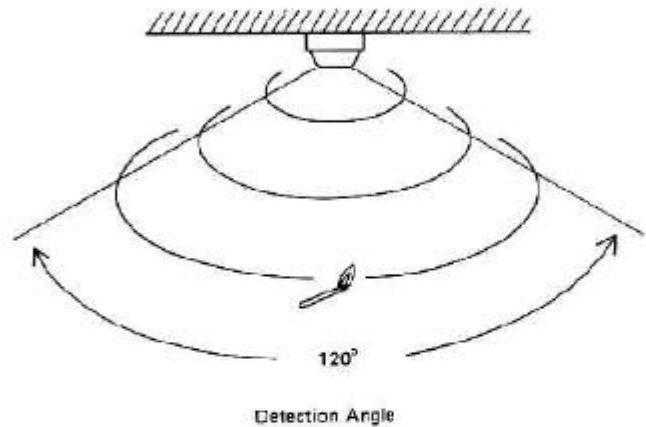
SPECIALIST DISTRIBUTORS OF FIRE DETECTION & SPRINKLER PRODUCTS

## Specifications

Supply Voltage: .....	Rated voltage 24 Vdc. Working voltage 15.0 – 30.0 Vdc.
Supervisory Current: .....	200 microampere. (at 24 V)
Surge Current: .....	700 microampere MAX.
Maximum Allowable Current: .....	0.25A at 25°C
Ambient Temperature: .....	-10°C – +50°C
Detection Angle: .....	120°
Weight: .....	150g
Dimensions: .....	Diameter 100mm Height 76mm with base



(unit: mm)

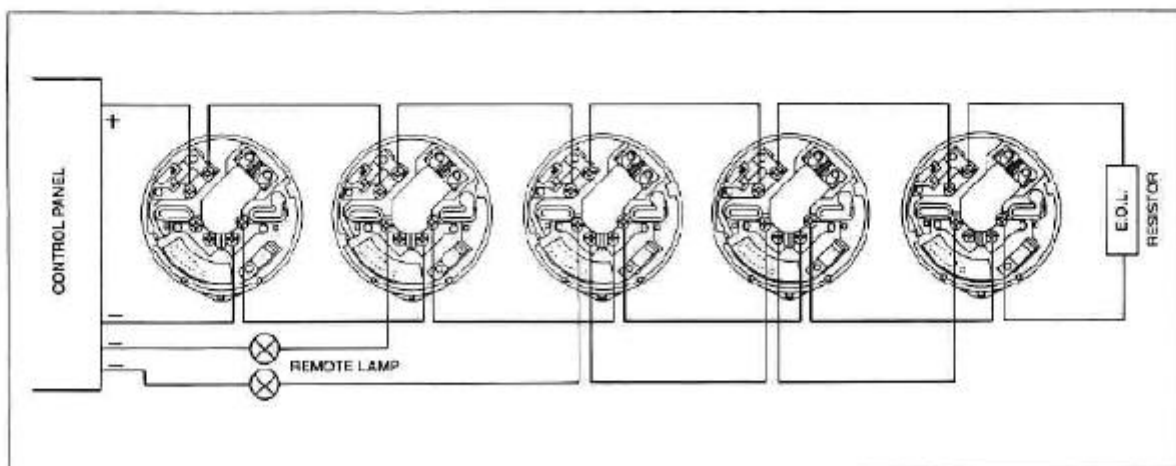


Detection Angle

## Typical wiring diagram

Model YBC-R/3A (without lamp): Wiring should be made as shown. Model YBF-RL/4AH4 (with lamp): In this arrangement, any detector in the group will operate the alarm indicator lamp.

Refer to the diagram for wiring detectors with and without a remote lamp. In the case of disconnection-wiring, an end-of-line resistor must be wired to the last base in the line.



In line with a continuous programme of product development, the Manufacturer reserves the right to modify or update specifications without notice. It should be noted that the exact specification may vary depending on the configuration of the designed system. The information herein is to assist in determining whether this product is suitable for a given application. This information does not purport to cover all details or variations in the equipment described, nor does it provide for every possible contingency to be met in connection with installation, operation and maintenance. We request that customers inspect and test our products before use and satisfy themselves as to contents and suitability. NOTHING HEREIN SHALL CONSTITUTE A WARRANTY, EXPRESSED OR IMPLIED INCLUDING ANY WARRANTY OF MERCHANTABILITY OR FITNESS FOR A PARTICULAR PURPOSE.

Issue A