



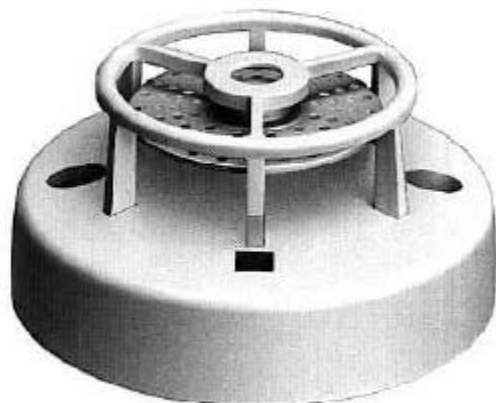
DFG-60BLKJ FIXED TEMPERATURE THERMAL DETECTOR

Hochiki meets your requirements for sensitivity and reliability.

No-compromise detection quality is the outstanding feature of Hochiki Fixed Temperature Thermal Detectors for factories, warehouse, offices and other locations requiring positive protection against fire. Hochiki's baseless and water-resistance type thermal detector meets your requirements for cost consideration and applications.

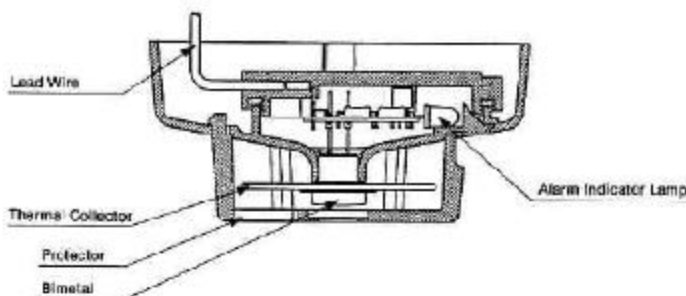
Many outstanding features

1. The DFG — 60BLKJ thermal detector features a slim design which combines visual appeal with a high standard of reliability.
2. Water resistance, The DFG — 60BLKJ is also equipped with a ring protector that protects the snap-lock disk bimetal from external damage.
3. The baseless detector meets your requirements for cost consideration.
4. High impedance is another important cost consideration which Hochiki answers. Together with the long-life reliability of design, the high impedance enables many units to be installed and used economical on a single line.
5. The temperature detection element consisting of the bimetallic element and electrical consisting of the bimetallic element and electrical contacts are hermetically sealed from humidity and corrosive gases.
6. Remote Lamp can be connected with detector.



Operation

The DFG — 60BLKJ Fixed Temperature Thermal Detector is sufficient for reliable detection in cases of fire characterized by either a rapid or slow ambient temperature. When ambient temperature exceeds the fixed temperature range of the detector, the disk bimetal trips bringing the P.G.S. (Platinum Gold Silver) contact points into contact, establishing a short circuit and triggering an alarm. After that, when the temperature drops, the disk bimetal return to normal configuration, causing the contact to open. However, in this case, the electrical latching circuit keeps triggering an alarm.



AUSTRALIAN DISTRIBUTORS

FIRE & SAFETY PRODUCTS (A/ASIA) PTY. LTD.

A.B.N. 96 007 954 832 (Inc. in South Australia)

85 ORSMOND STREET

PO BOX 131

HINDMARSH SA 5007

PHONE: (08) 8346 5061

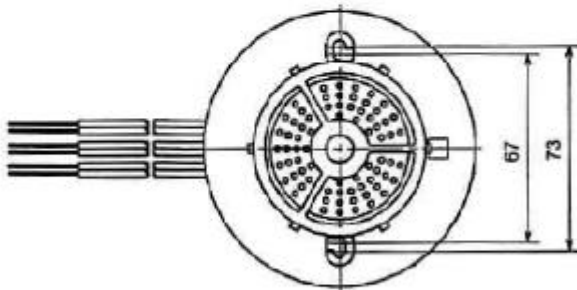
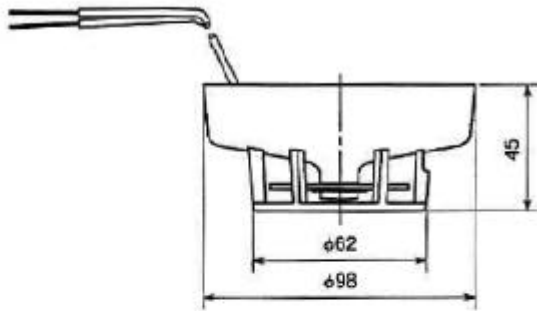
FAX: (08) 8340 0099



Quality
Endorsed
Company
A.S. 102/100-0009
Lic. No. CED 1471



SPECIALIST DISTRIBUTORS OF FIRE DETECTION & SPRINKLER PRODUCTS



(Unit: mm)

Specifications

Alarm Fixed Temperature: 58°C – 88°C
 Rate of rise for temperature: 0.5°C/min. 2°C/min.
 Contact Rating: 24V DC 100mA
 Operating Voltage: 15V – 30V
 Ambient Temperature: –10°C – 40°C
 Weight: 80g
 SSL Certificate of Compliance Number 242
 SSL Listing Number.....afp 661

Application

It is recognised that since the nature of the application of this detector requires that a connection be made outside the room in which they are installed, only 300mm flying leads can be provided.

To comply with as 1603.1 1990 the installer must provide terminals for fitting the leads.

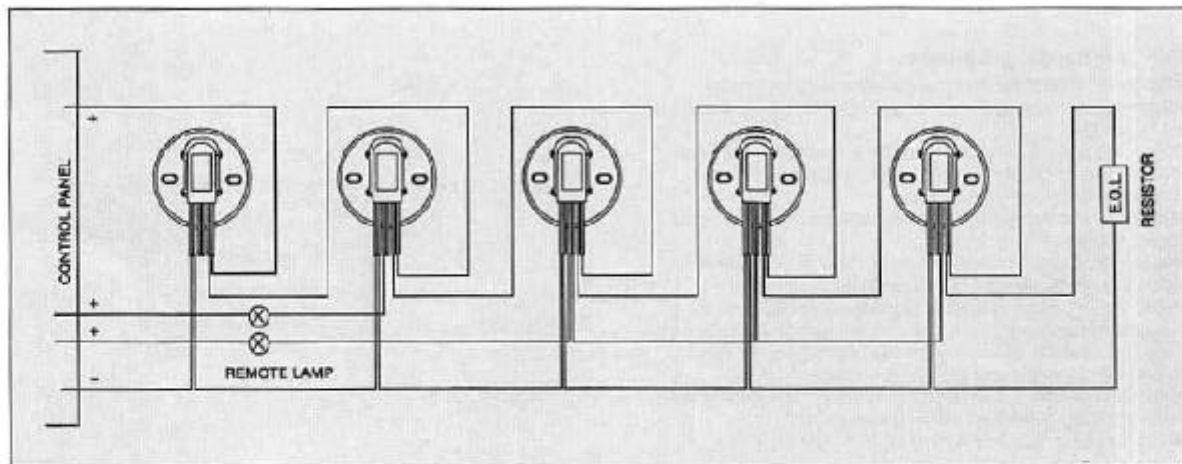
The construction of this unit makes it water resistance and dust proof. And it is especially effective in such applications as usage in factories, warehouses, boiler rooms, kitchens, dining rooms, etc.

Typical wiring diagram

See the diagram below for wiring detectors with and without remote lamps.

Any detectors in the group will operate the alarm indicator.

In the case of disconnection-wiring, an end of line resistor must be wired to the last detector on the line.



In line with a continuous programme of product development, the Manufacturer reserves the right to modify or update specifications without notice. It should be noted that the exact specification may vary depending on the configuration of the designed system. The information herein is to assist in determining whether this product is suitable for a given application. This information does not purport to cover all details or variations in the equipment described, nor does it provide for every possible contingency to be met in connection with installation, operation and maintenance. We request that customers inspect and test our products before use and satisfy themselves as to contents and suitability. NOTHING HEREIN SHALL CONSTITUTE A WARRANTY, EXPRESSED OR IMPLIED, INCLUDING ANY WARRANTY OF MERCHANTABILITY OR FITNESS FOR A PARTICULAR PURPOSE.

Issue A August 1999