



DCC-A TYPE "A" DCC-C TYPE "C"

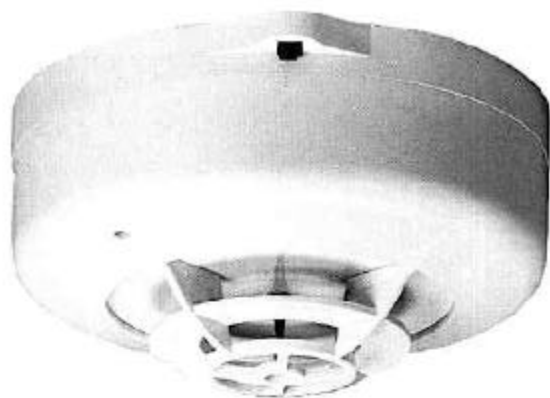
Combination Thermal Detectors

Hochiki delivers sensitive detection and long-life repeatability.

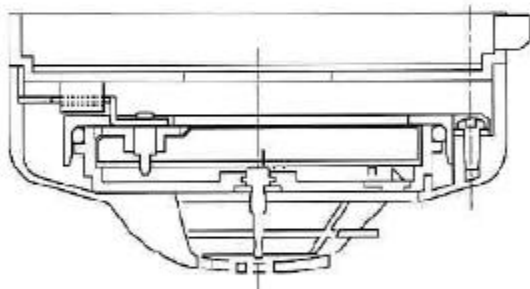
Reliability is one of the all-important features in a system for detecting heat build-up in a factory, office or warehousing facility. Hochiki's new heat detector meets your requirements for early detection with 2-in-1 functioning using the rate-of rise method and independently functioning fixed temperature method for a double standard of positive protection.

Install it where temperature fluctuates rapidly at fire.

1. Hochiki's overlapping standard of detection and the special circuitry built into the detector head afford double protection in locations where temperature is likely to fluctuate rapidly.
2. In addition to delivering performance through design, the unit's operating characteristics — one of which is it consumes very low current — makes it highly practical and a cost saver in large enclosed installations.



3. Handy bayonet fitting enables easy on and off (installation and removal) of the detector head, while the Hochiki Common Mounting Base allows heads to be freely interchanged.
4. Your operation can almost certainly benefit from Hochiki's other performance features, also, including disconnection wiring function which will keep your fire detection system operational by showing you where a non-operational detector is located on the line.



AUSTRALIAN DISTRIBUTORS

FIRE & SAFETY PRODUCTS (A/ASIA) PTY. LTD.

A.C.N. 007 854 832 (Inc. in South Australia)



85 ORSMOND STREET

PO BOX 131

HINDMARSH SA 5007

PHONE: (08) 8346 5061

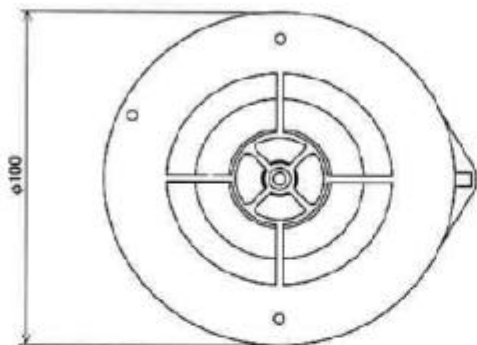
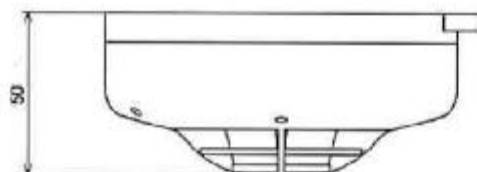
FAX: (08) 8340 0099



Quality
Endorsed
Company
AS NZ ISO 9002
Lic No. QEC 1411

A member of the WILLIAMS GROUP OF COMPANIES

SPECIALIST DISTRIBUTORS OF FIRE DETECTION & SPRINKLER PRODUCTS



(unit: mm)

Operation

The model DCC thermal detector is provided with 2 thermistors which give 2 mode signals as rate of rise and fixed temperature using Temperature vs. Resistance characteristics of them and detects the thermal in the event of fire.

Application

The combination, Rate of Rise and Fixed Temperature Detectors are suitable for almost all locations, however, these detectors should not be mounted in line with space heaters, blowers, and over stoves, ovens, and other heat generating units.

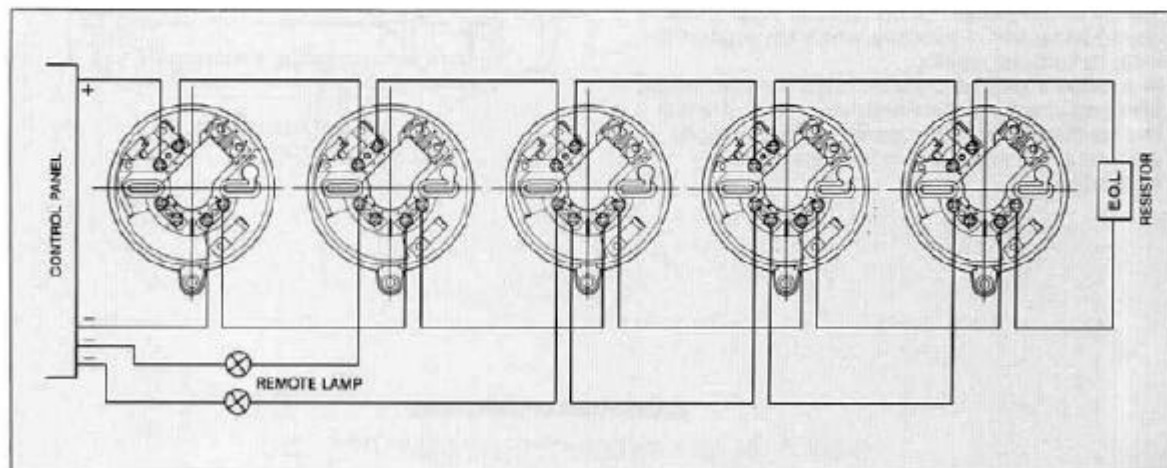
Specifications

Operating Voltage	15 - 30VDC
Consumption Current	Type A 23 μ A (at 24V, 25C°) Type C 21 μ A (at 24V, 25C°)
Maximum Allowable Current	0.25A (at 30V)
Minimum Alarm Trip Current	6mA (at 15V)
Operating fixed temperature	Type "A" 58-88°C Type "C" 88-132°C for the rate of rise 2°C/min. and 0.5°C/min. at air velocity 1.2m/s.
Operating time for rate of rise action	within 2.5min., for the rate of rise 22°C/min. and non-operation within 4.5min. for the rate of rise 6°C/min. at air velocity 1.2m/s.
Mounting hole	48-74mm in pitch
Weight	Approx. 80g without base
Colour	White
SSL Certificate of Compliance Number	243.
SSL Listing Number	Type "A".....afp 658 Type "C".....afp 659

Typical wiring diagram

Model YBC-R/3A (without lamp): Wiring should be made as shown. Model YBF-RL/4AH4M (with lamp): In this arrangement, any detector in the group will operate the alarm indicator lamp. Refer to the diagram for wiring

detectors with and without a remote lamp. In the case of disconnection-wiring, an end-of-line resistor must be wired to the last base in the line.



In line with a continuous programme of product development, the Manufacturer reserves the right to modify or update specifications without notice. It should be noted that the exact specification may vary depending on the configuration of the designed system. The information herein is to assist in determining whether this product is suitable for a given application. This information does not purport to cover all details or variations in the equipment described, nor does it provide for every possible contingency to be met in connection with installation, operation and maintenance. We request that customers inspect and test our products before use and satisfy themselves as to contents and suitability. NOTHING HEREIN SHALL CONSTITUTE A WARRANTY, EXPRESSED OR IMPLIED, INCLUDING ANY WARRANTY OF MERCHANTABILITY OR FITNESS FOR A PARTICULAR PURPOSE.

Issue A August 1999