

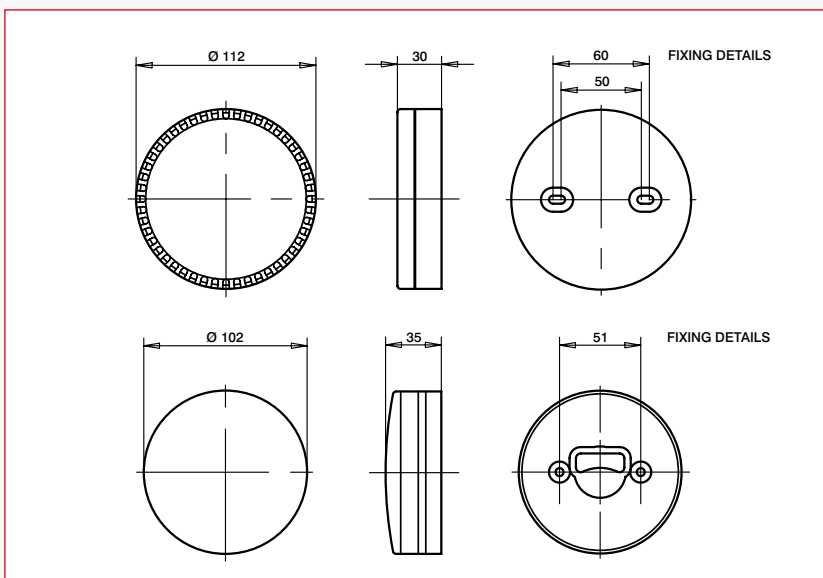
★ squashni sounders



- *LOW CURRENT CONSUMPTION*
- *BLANK COVER FOR USE AS A STAND ALONE SOUNDER*
- *REDUCED INSTALLATION COSTS*
- *COLOUR MATCHED TO LEADING MANUFACTURERS DETECTORS*
- *FIXING PLATFORM FOR DETECTOR BASES*



Model	Squashni	Squashni Micro
Operating Voltage Range	10 - 28Vdc	9 - 30Vdc
Current Consumption	18mA at 24Vdc (tone 3)	5.5mA at 24Vdc (lo setting) 15mA at 24Vdc (hi setting)
Operating Temperature	-25°C to +70°C	
Construction	ABS	
Ingress Protection	IP23D	IP23D
Weight	150g	155g
Dimensions	112mm dia x 30mm deep	102mm dia x 25mm deep (35mm deep with cover)
Sound Output	93dB(A) at 24Vdc (tone 3)	90dB(A) at 24Vdc (lo setting) 97dB(A) at 24Vdc (hi setting)
Tones	32	4
Colours	Red or White as standard (others available on request)	



Further Information

See Tones datasheet 25-9068

Variants

Large diameter version

Reduced volume version for hospitals

