 [Back to Contents](#)

[DATASHEETS](#)

Motorised & Solenoid Bells



Motorised & Solenoid Bells

Combining good styling with functional efficiency, a range of motorised and traditional solenoid bells suitable for most fire alarm and security applications. The C. F. range of motorised bells incorporate a highly efficient rotary centrifugal movement combining high sound output with low current consumption, especially for the 24 volt versions. Available with a choice of 4", 6" or 8" gongs to suit a wide range of

- **WIDE RANGE OF VOLTAGES AND GONG DIAMETERS**
- **LOW CURRENT CONSUMPTION ON 24V MOTORISED BELLS**

installation requirements, the 4" bell is ideal for use in hotel bedrooms where a sound level of 75dB(A) is required at the bedhead. The solenoid bells incorporate a traditional interrupted solenoid movement giving a high sound output and are suitable for external use when fitted with a weatherproof gasket box. All bells have centre gong disc which can be customised by printing a company name or logo.

- **OPTION OF CUSTOMISED DISCS PRINTED WITH COMPANY NAME AND LOGO**
- **TERMINALS WILL ACCEPT 2.5 MM² CABLES**
- **SIMPLE INSTALLATION VIA MULTI FIXING BASE PLATE FOR ALL TYPES OF LOCATION**
- **RANGE OF GONG FINISHES AVAILABLE**
- **4" DIAMETER MOTORISED BELL IDEAL FOR BEDHEAD INSTALLATION**

Motorised & Solenoid Bell Specifications

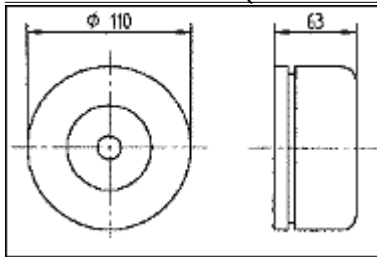
Motorised and solenoid bells have been designed for ease of installation with a multifixing baseplate for all types of location, and terminal blocks that will accept 2.5mm² cables.

Where an external weatherproof bell is required a solenoid bell with a weatherproof

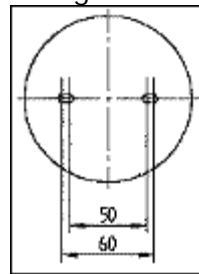
gasket box must be used.

The centre disc of the bells can be customised by printing with your own logo and company name.

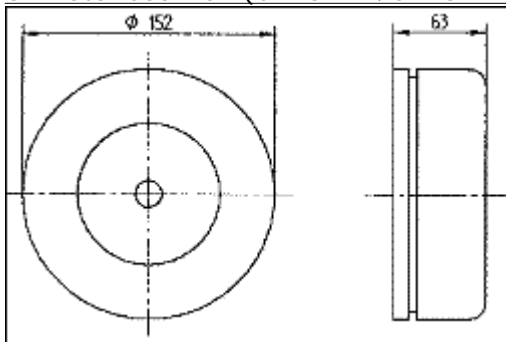
4" Motorised Bell (CFB4D12/CFB4D24)



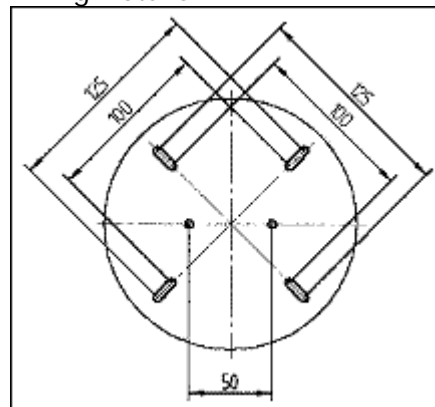
Fixing Details



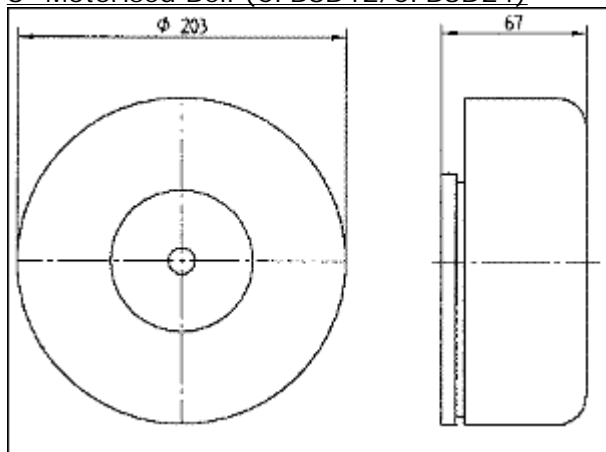
6" Motorised Bell (CFB6D12/CFB6D24)



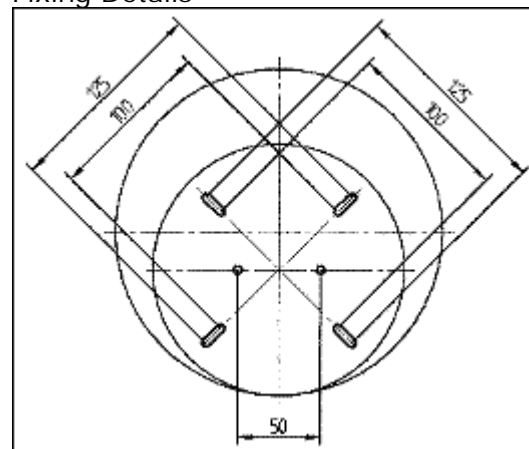
Fixing Details



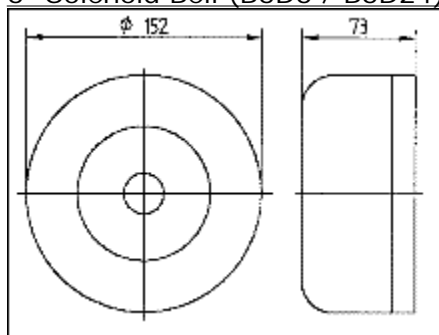
8" Motorised Bell (CFB8D12/CFB8D24)



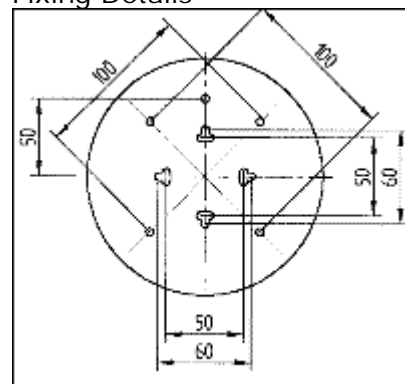
Fixing Details



6" Solenoid Bell (B6D6 / B6D24)

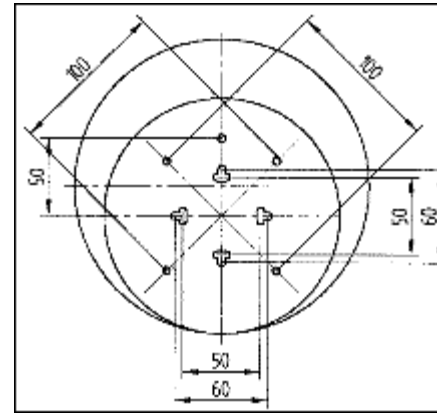
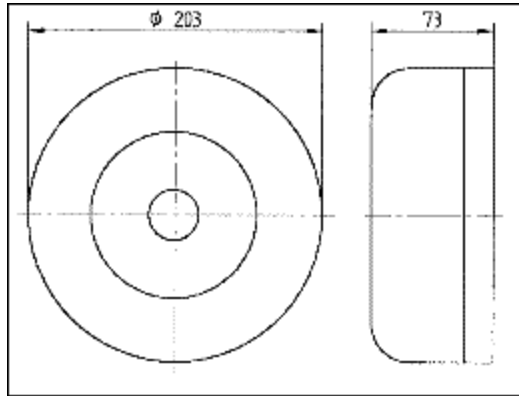


Fixing Details



8" Solenoid Bell (B8D6 / B8D24)

Fixing Details



| Model No. | CFB4D12 | CFB4D24 | CFB6D12 | CFB6D24 | CFB8D12 | CFB8D24 | B6D6 | B6D24 | B8D6 | B8D24 |
|------------------------------|--|-----------|----------------------|-----------|----------------------|-----------|---------------------------------------|-----------|--------------------|-----------|
| Gong Size | 4" (102mm) dia. | | 6" (152mm) dia. | | 8" (203mm) dia. | | 6" (152mm) dia. | | 8" (203mm) dia. | |
| Nominal Voltage | 12V DC | 24V DC | 12V DC | 24V DC | 12V DC | 24V DC | 6V DC | 24V DC | 6V DC | 24V DC |
| Voltage Range | 8-16V DC | 18-30V DC | 8-16V DC | 18-30V DC | 8-16V DC | 18-30V DC | 6-12V DC | 24-48V DC | 6-12V DC | 24-48V DC |
| Nominal Current at Nominal V | 100mA | 20mA | 100mA | 25mA | 110mA | 28mA | 200mA | 55mA | 200mA | 55mA |
| Nominal Output | 84dB(A) @ 1 metre | | 93/95dB(A) @ 1 metre | | 95/97dB(A) @ 1 metre | | 100dB(A) @ 1 metre | | 102dB(A) @ 1 metre | |
| Movement | Motor, Pinion and Striker | | | | | | Interrupted Solenoid | | | |
| Movement Features | DC Motor; acetal gear wheel; steel striker | | | | | | Rugged solenoid; silver contacts | | | |
| Gong | Steel, secured with philips head screw | | | | | | Steel, secured with hex. socket screw | | | |

| | | | | | | | | | | |
|--------------------|---|-------------------|--------|-------------------|-------|--|-------|-------------------|-------|-------------------|
| Gong Finish | Etch primed, stove enamelled Red or Black as standard | | | | | | | | | |
| Baseplate | Moulded black polycarbonate | | | | | Steel zinc plated / moulded polycarbonate | | | | |
| Baseplate Mounting | Direct to wall or conduit box | | | | | | | | | |
| Terminals | Two in. two out | | | | | Two | | | | |
| Monitoring | - | two series diodes | - | two series diodes | - | two series diodes | - | two series diodes | - | two series diodes |
| Weight | 0.45kg | 0.45kg | 0.85kg | 0.85kg | 1.7kg | 1.7kg | 1.4kg | 1.4kg | 2.1kg | 2.1kg |
| Extras | Pattress to accept surface wiring | | | | | Pattress to accept surface wiring Weatherproof gasket box | | | | |

Issue 1/00

We reserve the right to change, without prior notice, the specification of these products from that detailed.
Data shown is typical for operation under normal ambient conditions.


FULLEON LTD

Llantarnam Park, Cwmbran, Gwent NP44 3AW.

Tel: +44 (0) 1633 872131 Fax: +44 (0) 1633 866346

E-mail: sales@fulleon.co.uk URL: <http://www.fulleon.co.uk>



 [Back to Contents](#)